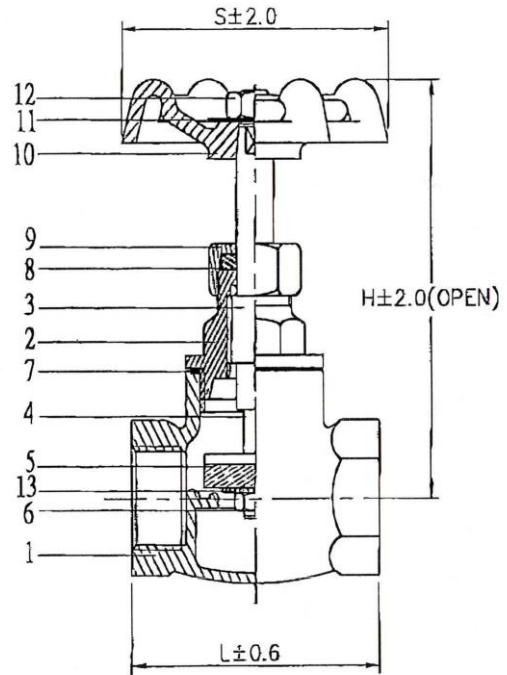


**Description**

- 1 Body
- 2 Bonnet
- 3 Stem
- 4 Disc
- 5 Packing
- 6 Nut
- 7 Washer
- 8 Gland packing
- 9 Packing nut
- 10 Hand wheel
- 11 Plate with print open/closed (s/o)
- 12 Wheel nut
- 13 Washer


**Female thread globe valves**

- Max. operating pressure: 10.0 bar
- Applications: Non-corrosive liquids and steam up to 90 °C
- Body and bonnet: Brass
- Operating temperature: -10 °C to 80 °C

Art. No.	Ident No.	Port G	DN	H	L	S
250.51	103789	1/2	15	78.0	54.0	58.0
250.52	103790	3/4	20	78.0	54.5	58.0
250.53	103791	1	25	82.0	61.0	58.0
250.54	103792	1 1/4	32	126.0	88.5	79.0
250.55	103793	1 1/2	40	128.0	101.0	79.0
250.56	103794	2	50	149.0	117.0	85.0



250.52